



承 认 书

SPECIFICATION FOR APPROVAL

CUSTOMER/客户:	
TYPE/类型:	TOROIDAL TRANSFORMER
PART NO./物料编号:	-----
CUSTOMER'S MATERIAL NO./客 户型号:	
OUR MODEL NO./本厂编号:	JL-520RT
DESIGN/编制:	姚 林
APPROVAL/批准:	刘邵恒
AUTHORIZED SIGNATURE & COMPANY CHOP 客户认可回签(章)	

东 莞 市 石 碣 君 凌 电 子 厂

Dongguan City Shijie Junling Electronic Factory

地址: 广东省东莞市石碣镇新城崇焕西路108号三楼

TEL: 0769-86363687

FAX: 0769-86363687

E-mail address: dgjunling@163.com

<http://www.dgjunling.com>



ELECTRICAL PERFORMANCE/电气性能

1. ENFORCE STANDARD/执行标准

SAFETY STANDARD/安规标准: EN61558-1

2. ELECTRICAL PERFORMANCE/电气参数

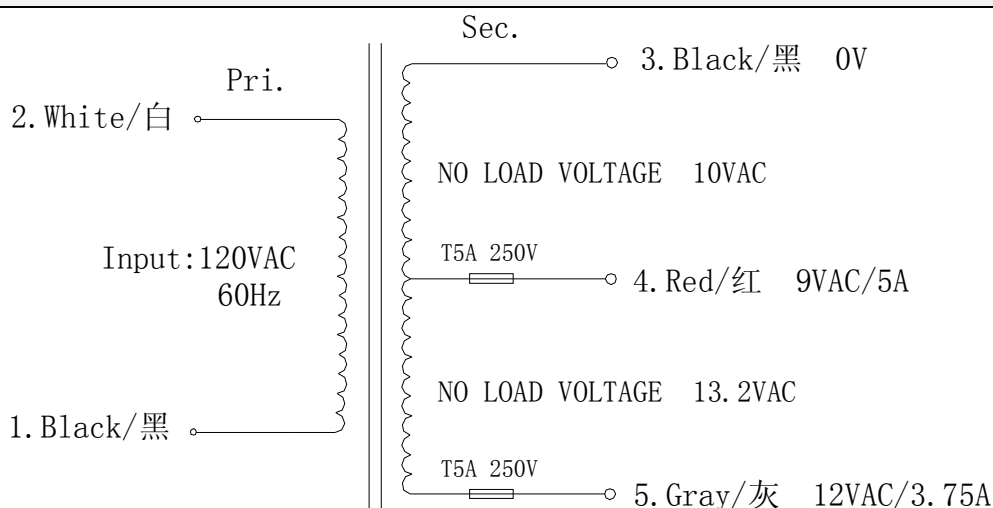
Primary rated voltage/初级额定输入: 120VAC 60Hz

Exciting current/最大空载(励磁)电流: 20mA (230V/50Hz)

Secondary rated voltage and current/次级额定输出:

	UNLOAD VOLTAGE 空载电压(VAC±5%)	LOADING VOLTAGE 负载电压(VAC±5%)	RATED CURRENT 额定负载电流(AAC)
S1:3~4~5	0~10V~13.2V	0~9V~12V	5A-3.75A
S2:			
S3:			
S4:			

3. CIRCUIT DIAGRAM/电路图



4. WORKING AND SAFETY PROTECTION/工作防护及安全保护

- Electrostatic Shield/静电屏蔽
- Magnetic Shield/磁屏蔽
- Temperature Protection/温度保护
- Over Current Protection/过电流保护

5. INSULATION/绝缘性能

Insulation resistance test (type test)/绝缘电阻测试 (型式测试): Pri.~sec. 500V DC 100 MΩ MIN.

HI-POT TEST (100% test)/耐压测试 (100%测试): Pass our dielectric strength test, without any breakdown

Pri.~sec. AC 1.5 kV for 60 seconds (leakage current 5mA MAX)

通过以下绝缘强度测试不产生绝缘崩溃

初级对次级 AC 1.5 kV 60 秒 (最大漏电流 5mA);

6. TEMPERATURE RISE/温升性能

Ta=25°C Test by resistance method At rated load 2H WINDINGS' TEMPERATURE RISE °C MAX.

环境温度为 25°C 电阻法测试 额定负载 2 小时 绕组最大温升为 75°C.

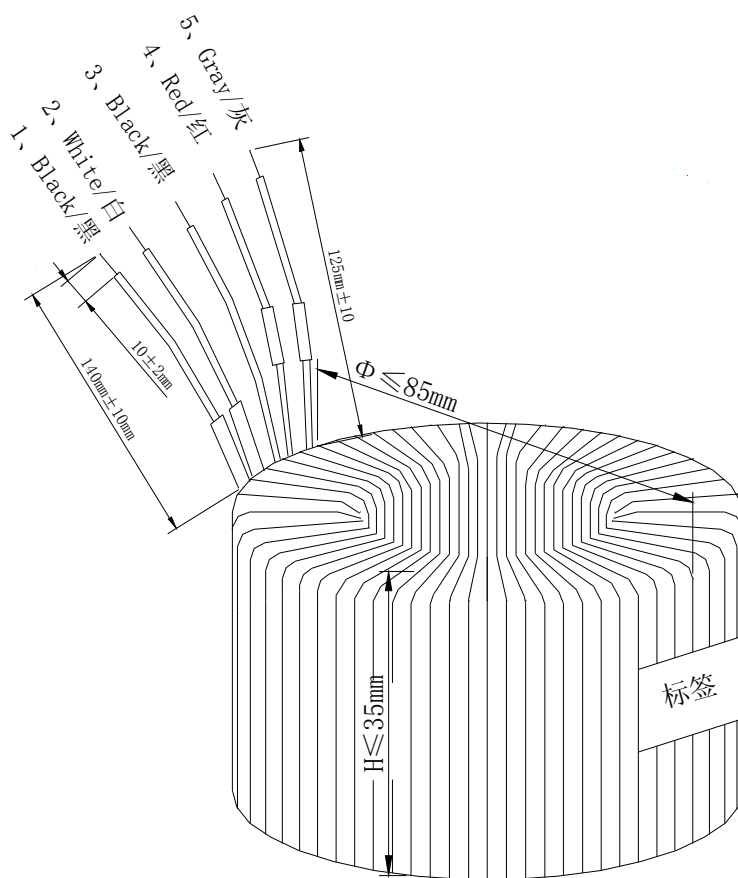
7. MAJOR MEASUREMENT FACILITIES/主要测量设备:

HI-POT TESTER (高压机): CJ2670	INSULATION-RESISTANCE METER(绝缘电阻表): ZC-7
VOL TMETER (电压表): T19-V	DC-RESISTANCE METER (直流电阻表): QJ44
AMPEREMETER (安培表): T19/1-A	



EXTERNAL VIEW/外观

LEADS/引线	PRIMARY/初级	SECONDARY/次级
LEAD NO./ 引线序号	1~2	3~4~5
COLOR/ 颜色	Black/黑~ White/白	Black/黑~Red/红~Grey/灰
SPECS/ 规格	UL 1015 18AWG	UL 1015 18AWG
LENGTH/ 长度(±10mm)	140mm	125mm
TERMINAL/ 线端	SIN 10mm	SIN 10mm

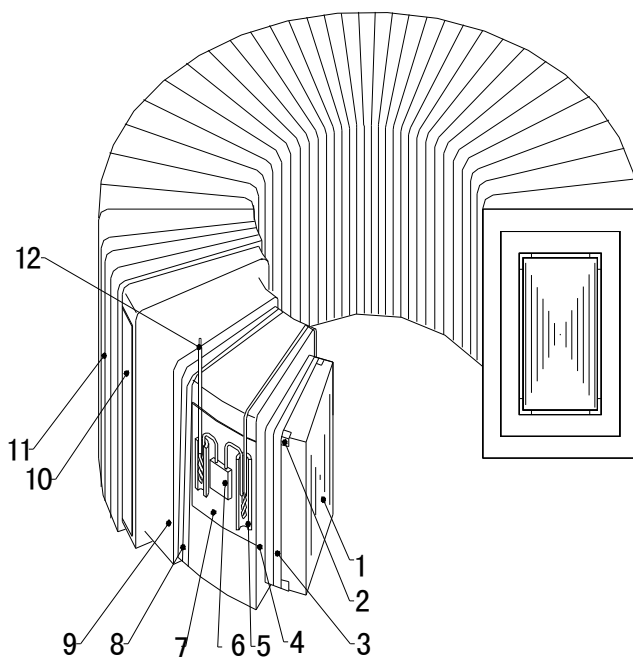


Note: The dimension is not including the leads emergence./ 以上外型尺寸不含出线处。
 The dimension including the leads emergence./外型尺寸含出线处 Ht:35max,Od:85max.

LABEL/标签	WEIGHT/重量(kg)	0.9 ± 0.1
ACCESSORIES/附件		
1	METAL WASHER/环牛盖 黑色	
2	RUBBER WASHER/橡胶垫	
3	SCREW/螺栓 白锌	
4	HEX NUT/螺母白锌	
5	WASHER/平垫白锌	
6	LOCK WASHER/弹垫白锌	
7	RUBBER WASHER/橡胶垫	
8	METAL WASHER/方型盖(四方孔) (四个螺纹孔)	



CONSTRUCTION & MATERIAL LIST/结构及材料明细



NO: 序号	DENOMINATION 名称	MATERIAL 材料	型号/规格	SUPPLIERS 供应商	认 证	CERTIFICATE NUMBER 认证号
1	Annular core 环形铁芯	Cold rolling directional silicon steel 取向硅钢带	Z11 0.27mm	东莞煜维电子 or equivalent	—	----
2	Insulation protection 绝缘保护	Mylar 麦拉胶带	CT286 10mm	JINJIANG YAHUA PRESSURE SENSITIVE GLUE CO LTD or equivalentt	UL	E165111
3	Core Insulation 铁芯绝缘	Polyester 5C 聚酯薄膜 5C	Mylar EL	DUPONT TEIJIN FILMS U S LP or equivalent	UL	E93687
4	Pri.Winding 初级绕组	Enamelled copper wire 漆包圆铜线	PEW-2	NINGBO JINTIAN NEW MATERIAL CO LTD or equivalent	UL	E227047
5	Terminal cannula 接头护套	FIBER SET TUBE 纤维套管	Φ2mm Φ3mm	QIFURUI ELECTRONICS CO or equivalent	UL	E255609
6	电流保护	电流保险丝	T5A 250V	AUPO ELECTRONICS LTD or equivalent	UL	E140847
7	Termial uderlay 接头垫护	GUBANG-PM 20C 青壳纸 20C	GUBANG-PM	FU WEI INSULATION TECHNO LOGY CO LTD or equivalent	UL	E469673
8	Pri.Insulation 初级绝缘	Polyester 5C 聚酯薄膜 5C	Mylar EL	DUPONT TEIJIN FILMS U S LP or equivalent	UL	E93687
9	Sec.Winding 次级绕组	Enamelled copper wire 漆包圆铜线	PEW-2	NINGBO JINTIAN NEW MATERIAL CO LTD or equivalent	UL	E227047
10	Insulation protection 保护胶	Mylar 麦拉胶带	CT286 30mm 宽白 色	JINJIANG YAHUA PRESSURE SENSITIVE GLUE CO LTD or equivalentt	UL	E165111
11	Coating insulation 外包绝缘	Polyester 5C 聚酯薄膜 5C	Mylar EL	DUPONT TEIJIN FILMS U S LP or equivalent	UL	E93687
12	Lead 引线	UL WIRE 认证电子线	1015#18AWG	QIFURUI ELECTRONICS CO. or equivalent UL recognized wire	UL	E328303 E251491 E211048