



承 认 书

SPECIFICATION FOR APPROVAL

CUSTOMER/客户:	
TYPE/类型:	TOROIDAL TRANSFORMER
PART NO./物料编号:	-----
CUSTOMER'S MATERIAL NO./客 户型号:	
OUR MODEL NO./本厂编号:	JL-128RT
DESIGN/编制:	姚 林
APPROVAL/批准:	刘邵恒
AUTHORIZED SIGNATURE & COMPANY CHOP 客户认可回签(章)	

东 莞 市 石 碣 君 凌 电 子 厂

Dongguan City Shijie Junling Electronic Factory

地址: 广东省东莞市石碣镇新城崇焕西路108号三楼

TEL: 0769-86363687

FAX: 0769-86363687

E-mail address: dgjunling@163.com

<http://www.dgjunling.com>



ELECTRICAL PERFORMANCE/电气性能

1. ENFORCE STANDARD/执行标准

SAFETY STANDARD/安规标准: EN61558-1

2. ELECTRICAL PERFORMANCE/电气参数

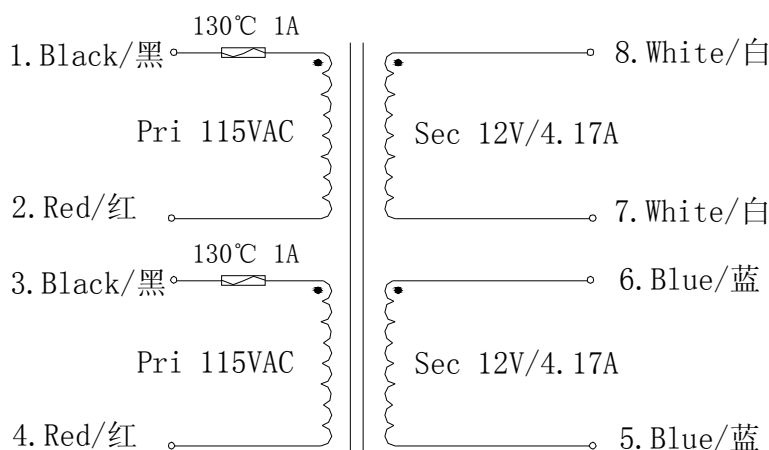
Primary rated voltage/初级额定输入: 0~115VAC 0~115VAC 60/50Hz

Exciting current/最大空载(励磁)电流: 20mA (230V/50Hz)

Secondary rated voltage and current/次级额定输出:

	UNLOAD VOLTAGE 空载电压(VAC±5%)	LOADING VOLTAGE 负载电压(VAC±5%)	RATED CURRENT 额定负载电流(AAC)
S1:5~6	0~13.2V	0~12V	4.17A
S2:7~8	0~13.2V	0~12V	4.17A

3. CIRCUIT DIAGRAM/电路图



4. WORKING AND SAFETY PROTECTION/工作防护及安全保护

- Electrostatic Shield/静电屏蔽 Magnetic Shield/磁屏蔽
 Temperature Protection/温度保护 Over Current Protection/过电流保护

5. INSULATION/绝缘性能

Insulation resistance test (type test)/绝缘电阻测试 (型式测试): Pri.~sec. 500V DC 100 MΩ MIN.

HI-POT TEST (100% test)/耐压测试 (100%测试): Pass our dielectric strength test, without any breakdown

Pri.~sec. AC 3.5 kV for 60 seconds (leakage current 5mA MAX)

通过以下绝缘强度测试不产生绝缘崩溃

初级对次级 AC 3.5 kV 60 秒 (最大漏电流 5mA);

6. TEMPERATURE RISE/温升性能

Ta=25°C Test by resistance method At rated load 2H WINDINGS' TEMPERATURE RISE °C MAX.

环境温度为 25°C 电阻法测试 额定负载 2 小时 绕组最大温升为 75°C.

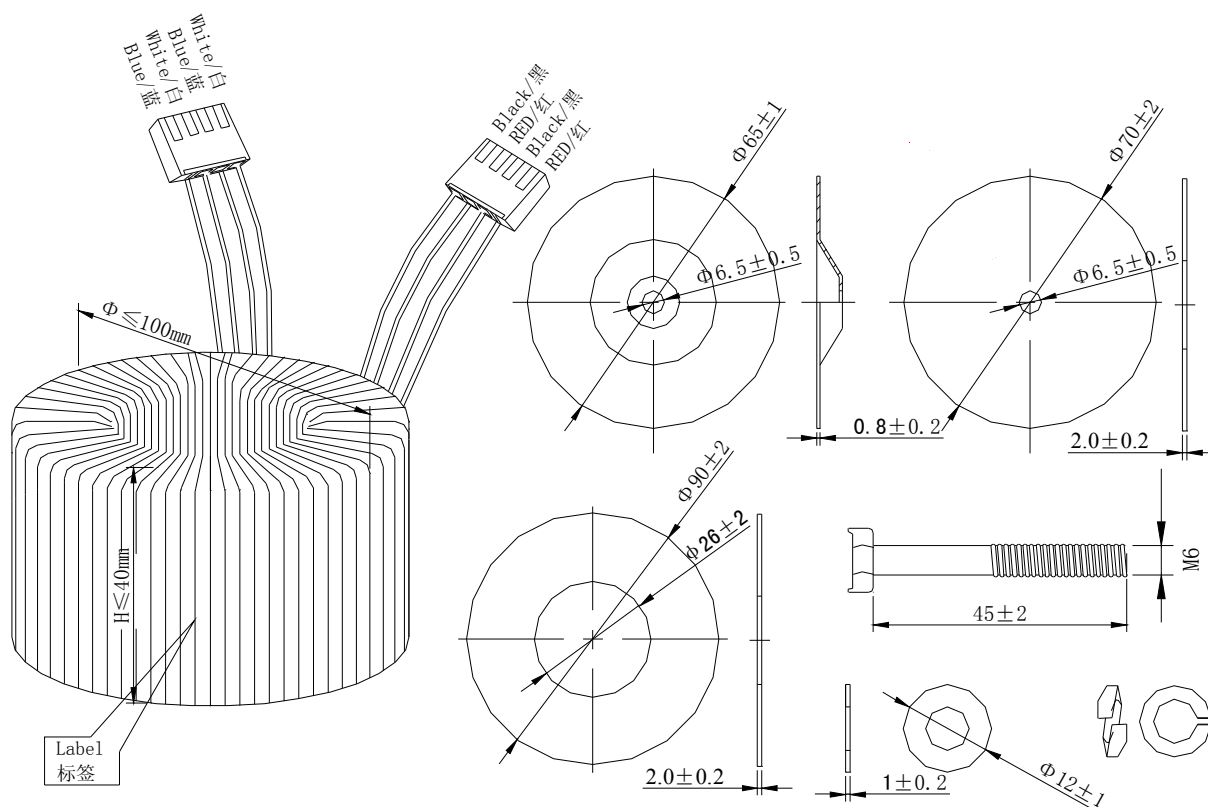
7. MAJOR MEASUREMENT FACILITIES/主要测量设备:

HI-POT TESTER (高压机): CJ2670	INSULATION-RESISTANCE METER(绝缘电阻表): ZC-7
VOL TMETER (电压表): T19-V	DC-RESISTANCE METER (直流电阻表): QJ44
AMPEREMETER (安培表): T19/1-A	



EXTERNAL VIEW/外观

LEADS/引线	PRIMARY/初级		SECONDARY/次级	
LEAD NO./ 引线序号	1~2	3~4	5~6	7~8
COLOR/ 颜色	Black/黑~ Red/红	Black/黑~ Red/红	Blue/蓝~ Blue/蓝	White/白~ White/白
SPECS/ 规格	UL 1672 20AWG		UL 1015 18AWG	
LENGTH/ 长度(±5mm)	59mm		59mm	
TERMINAL/ 线端	4P/3.96VH		4P/3.96VH	

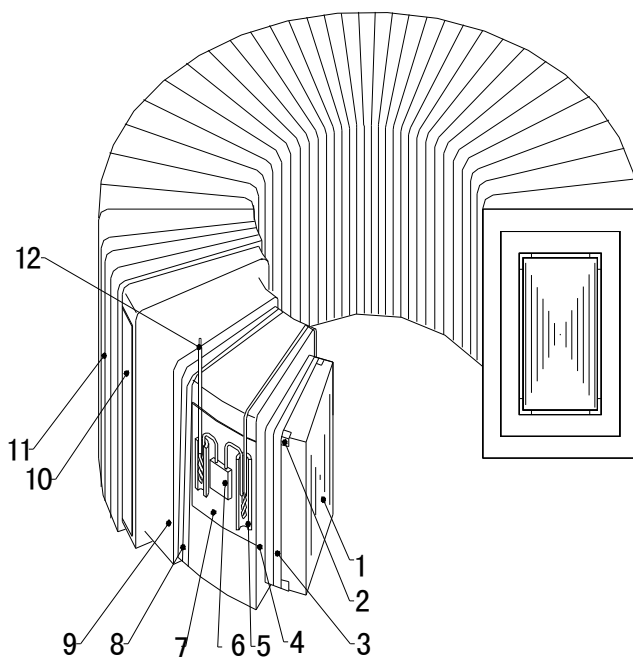


Note: The dimension is not including the leads emergence./ 以上外型尺寸不含出线处。
 The dimension including the leads emergence./外型尺寸含出线处 Ht:40max,Od:100max.

LABEL/标签	WEIGHT/重量(kg)		1.2±0.1
<div style="border: 1px solid black; padding: 5px;"> <p>TOROIDAL TRANSFORMER MODEL:JL-128RT PRI : 0V-115VAC 0V-115VAC 50/60Hz RED BLK RED BLK SEC : 0V-----12VAC/50VA (BLU-WHT) 0V-----12VAC/50VA (BLU-WHT) www.dgjunling.com Production date:2018/06</p> </div>	ACCESSORIES/附件		
	1	METAL WASHER/环牛盖 黑色	I.D.:6.5±0.5, O.D.:65±2, THK.:0.8±0.2, 1PCS
	2	RUBBER WASHER/橡胶垫	I.D.:6.5±1, O.D.:70±2, THK.: 2±0.2, 1PCS
	3	SCREW/螺栓 白锌	M6×45(不包螺帽), 1PCS
	4	HEX NUT/螺母白锌	M6, 1PCS
	5	WASHER/平垫白锌	I.D.:6.5±0.5, O.D.:12±1, THK.:1±0.2, 1PCS
	6	LOCK WASHER/弹垫白锌	M6 1PCS
	7	RUBBER WASHER/橡胶垫	I.D.:26±1, O.D.:90±2, THK.:2±0.2, 1PCS
	8	METAL WASHER/方型盖(四方孔) (四个螺纹孔)	



CONSTRUCTION & MATERIAL LIST/结构及材料明细



NO: 序号	DENOMINATION 名称	MATERIAL 材料	型号/规格	SUPPLIERS 供应商	认 证	CERTIFICATE NUMBER 认证号
1	Annular core 环形铁芯	Cold rolling directional silicon steel 取向硅钢带	Z11 0.27mm	东莞煜维电子 or equivalent	—	----
2	Insulation protection 绝缘保护	Mylar 麦拉胶带	CT286 10mm	JINJIANG YAHUA PRESSURE SENSITIVE GLUE CO LTD or equivalentt	UL	E165111
3	Core Insulation 铁芯绝缘	Polyester 5C 聚脂薄膜 5C	Mylar EL	DUPONT TEIJIN FILMS U S LP or equivalent	UL	E93687
4	Pri.Winding 初级绕组	Enamelled copper wire 漆包圆铜线	PEW-2	NINGBO JINTIAN NEW MATERIAL CO LTD or equivalent	UL	E227047
5	Terminal cannula 接头护套	FIBER SET TUBE 纤维套管	Φ2mm Φ3mm	QIFURUI ELECTRONICS CO or equivalent	UL	E255609
6	Temperature Protection 温度保护	Thermal Fuse 温度保险丝	130℃ 1A 250V	AUPO ELECTRONICS LTD or equivalent	UL	E140847
7	Termial uderlay 接头垫护	GUBANG-PM 20C 青壳纸 20C	GUBANG-PM	FU WEI INSULATION TECHNO LOGY CO LTD or equivalent	UL	E469673
8	Pri.Insulation 初级绝缘	Polyester 5C 聚脂薄膜 5C	Mylar EL	DUPONT TEIJIN FILMS U S LP or equivalent	UL	E93687
9	Sec.Winding 次级绕组	Enamelled copper wire 漆包圆铜线	PEW-2	NINGBO JINTIAN NEW MATERIAL CO LTD or equivalent	UL	E227047
10	Insulation protection 保护胶	Mylar 麦拉胶带	CT286 30mm 宽白 色	JINJIANG YAHUA PRESSURE SENSITIVE GLUE CO LTD or equivalentt	UL	E165111
11	Coating insulation 外包绝缘	Polyester 5C 聚脂薄膜 5C	Mylar EL	DUPONT TEIJIN FILMS U S LP or equivalent	UL	E93687
12	Lead 引线	UL WIRE 认证电子线	1672#20AWG 1015#18AWG	QIFURUI ELECTRONICS CO. or equivalent UL recognized wire	UL	E328303 E251491 E211048